

## Micro Cartridge Pump

- Max. vacuum level : **-85 kPa**
- Max. flow rate : **16.5 NI/min**
- Supply air pressure : **1.2~ 2.6 bar, max 7bar**  
(43.5~87 psi, max 101.5 psi)
- Air consumption : **6.8~10.6 NI/min**
- Supply air type : Dry compressed air
- Working temperature : **- 20°C ~ + 80°C**
- Noise level : **50 ~ 60dBA**



### Feature

- Integrated with VMECA vacuum cartridge
- Low Energy consumption & Saving cost
- Compact (10mm) design with Light weight
- High vacuum level (Max. -85kPa) in low compressed air (2~3bar)
- Modular system
- Quick response time & High flow
- Integrated with air control valve & vacuum release valve
- Push-in type direct hose fitting
- Easy to assemble & disassemble control valve unit

### Order No.

## MC 102 - M4 - A - PG



① Model
• MC 102 - Micro cartridge VC102

② Body type
S - Single unit
M2 - 2Stack
• M4 - 4Stack
M6 - 6Stack
M8 - 8Stack
M10 - 10Stack

③ Valves		
	Air Supply Control Valve	Vacuum Release Control Valve
• A	⊙ (N.C. : Normal Closed)	⊙ (N.C. : Normal Closed)
B	⊙ (N.C. : Normal Closed)	-
No mark	-	-

- ※ Only 'CL' type valve is available
- ※ Remark : No mark is not available for Manifold type

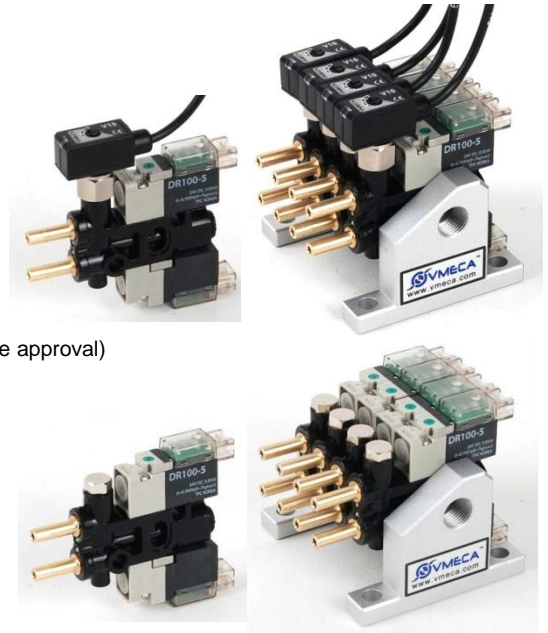
④ Vacuum Switch
No mark - Standard
• (P)C - M8-3Pin Connector type
(P)G - LED wire type(3m lead wire)

- ※ Remark : (P) – Output type : PNP open collector  
VCM8 42 : • M8-3pin female connector  
• Available for 'C' or 'PC' type

⑤ Sealing
• No mark - Standard (NBR)
V - Viton®
E - EPDM

## Control Unit (for Micro Pump)

Pressure range Mpa(kgf/cm <sup>2</sup> )	: 0~0.7 (0~7)
Inner shock / vibration (m/s <sup>2</sup> )	: 300 / 50
Supply air type	: Dry compressed air
Working temperature	: - 20°C ~ + 80°C
electrical power consumption (W)	: Standard - 0.85 (Lamp, rated voltage approval) Power saving mode - 0.45



## Feature

- Integrated with VMECA vacuum cartridge
- Low Energy consumption & Saving cost
- Compact (10mm) design with Light weight
- High vacuum level (Max. -85kPa) in low compressed air (2~3bar)
- Modular system
- Quick response time & High flow
- Integrated with air control valve & vacuum release valve
- Push-in type direct hose fitting
- Easy to assemble & disassemble control valve unit

## Order No.

### CU 102 - M4 - A - PG



① Model	
CU 102	- Control Unit for Micro cartridge VC102

② Body type	
S	- Single unit
M2	- 2Stack
M4	- 4Stack
M6	- 6Stack
M8	- 8Stack
M10	- 10Stack

③ Valves		
	Air Supply Control Valve	Vacuum Release Control Valve
A	☉ (N.C. : Normal Closed)	☉ (N.C. : Normal Closed)
B	☉ (N.C. : Normal Closed)	-

※ Only 'CL' type valve is available

④ Vacuum Switch	
No mark	- Standard
(PC)	- M8-3Pin Connector type
(PG)	- LED wire type(3m lead wire)

※ Remark : (P) – Output type : PNP open collector  
VCM8 42 : • M8-3pin female connector  
• Available for 'C' or 'PC' type

⑤ Sealing	
No mark	- Standard (NBR)
V	- Viton®
E	- EPDM

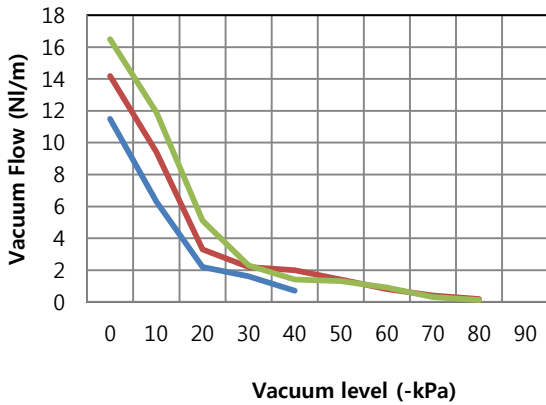
## Performance Data

Model	Max. Vacuum -kPa (-mmHg)	Supply Air pressure (MPa)	Vacuum flow (NI/min) at different vacuum level -kPa (-mmHg)									
			0 (0)	10 (75)	20 (150)	30 (225)	40 (300)	50 (375)	60 (450)	70 (525)	80 (600)	90 (675)
VC102..	50	0.12	11.5	6.3	2.2	1.6	0.7	-	-	-	-	-
	85	0.22	14.2	9.4	3.3	2.2	2	1.4	0.8	0.4	0.18	-
	83	0.26	16.5	11.9	5.1	2.3	1.4	1.3	0.9	0.3	0.12	-

Model	Supply Air pressure (MPa)	Consumption (NI/min)	Time, s/l, to evacuate a volume to different vacuum level -kPa (-mmHg)								
			10 (75)	20 (150)	30 (225)	40 (300)	50 (375)	60 (450)	70 (525)	80 (600)	90 (675)
VC102..	0.12	6.8	0.68	3	6.1	11.8	27.2	-	-	-	-
	0.22	9.6	0.4	1.48	4.3	6.9	9.1	15.3	27.4	50.2	-
	0.26	10.6	0.34	1.6	3.9	7	10.4	17.5	30.9	61.4	-

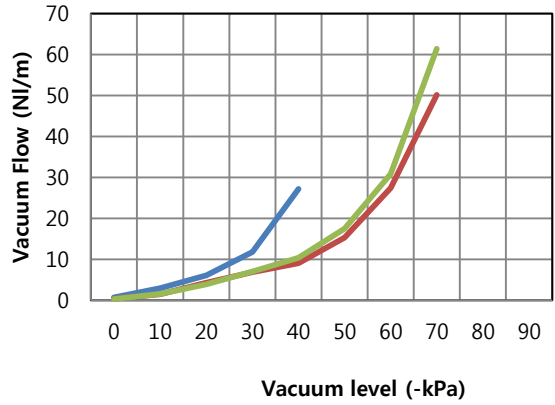
Vacuum flow (NI/min) at different vacuum level

— 0.12Mpa — 0.22Mpa — 0.26Mpa



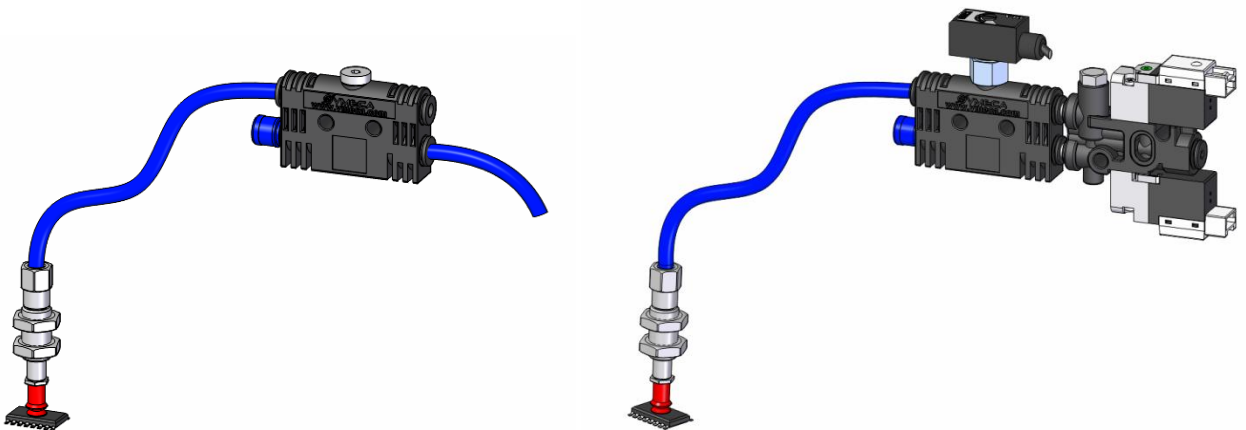
Evacuation time

— 0.12Mpa — 0.22Mpa — 0.26Mpa



VACUUM PUMPS

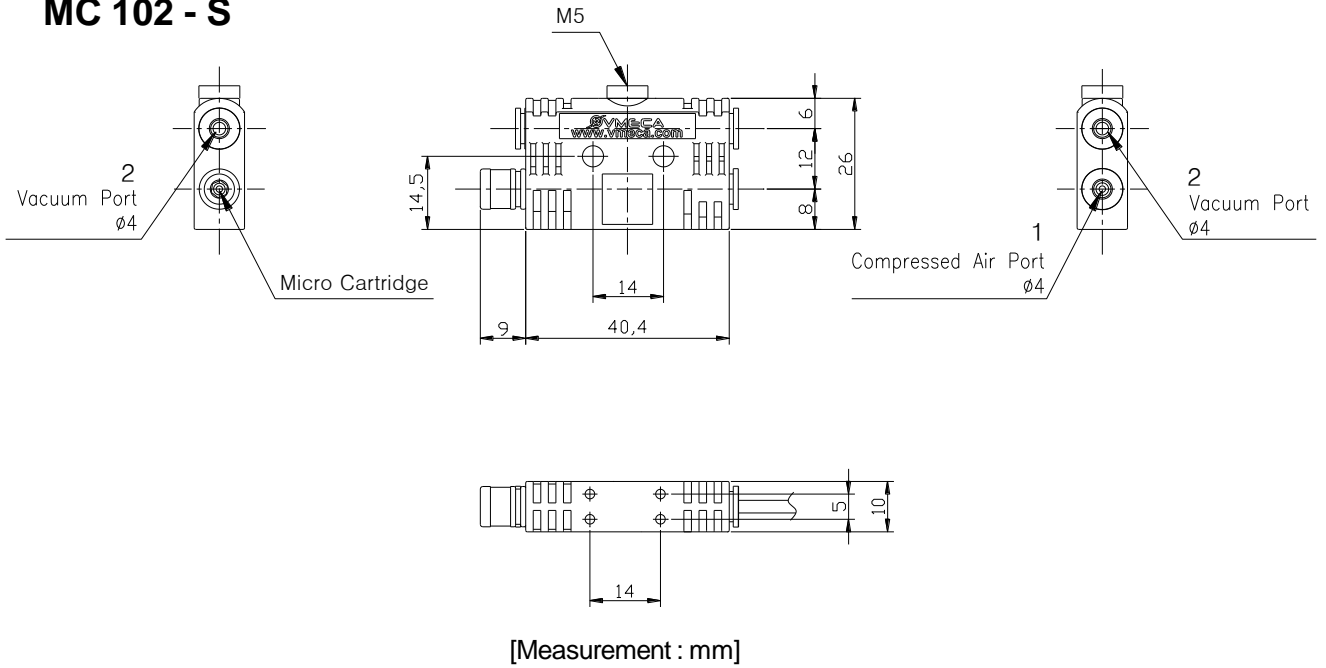
## Application



**Dimension**

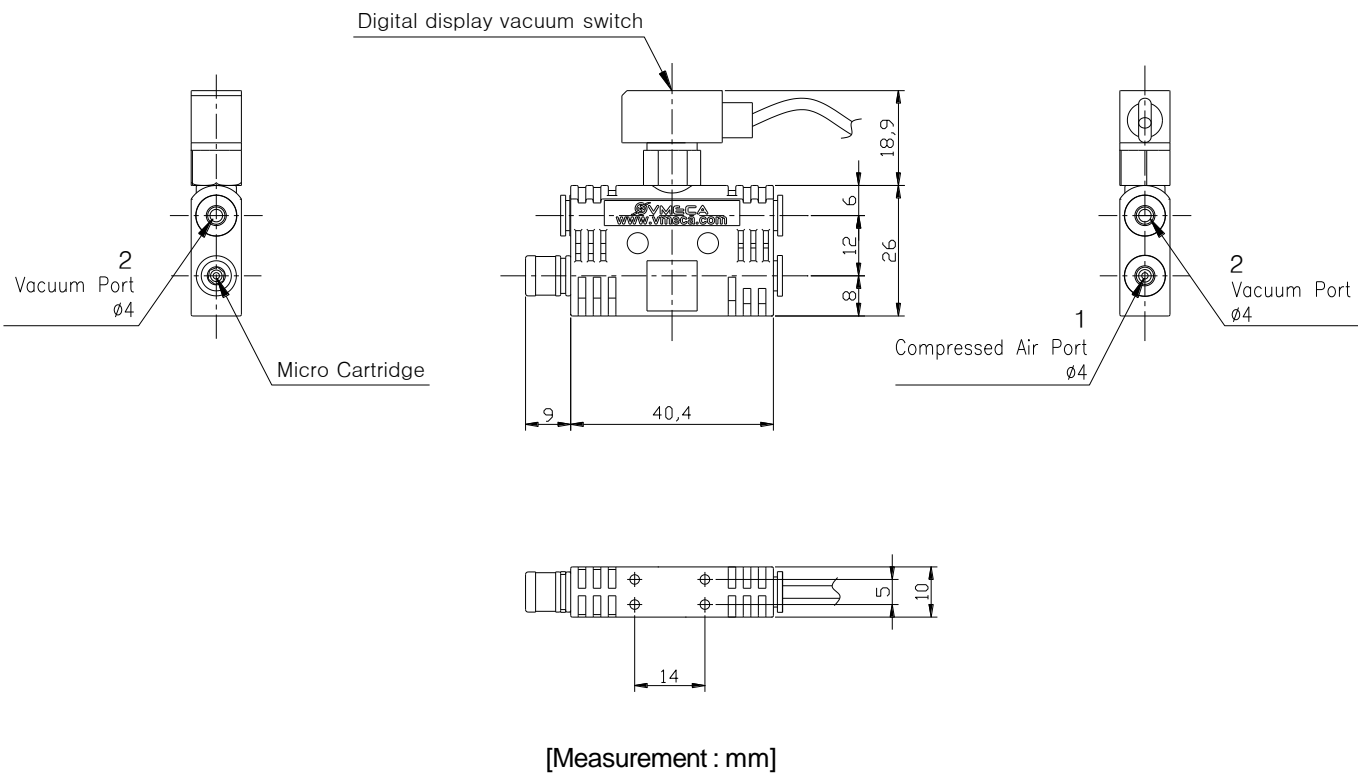
Standard

**MC 102 - S**



Valve & Switch type

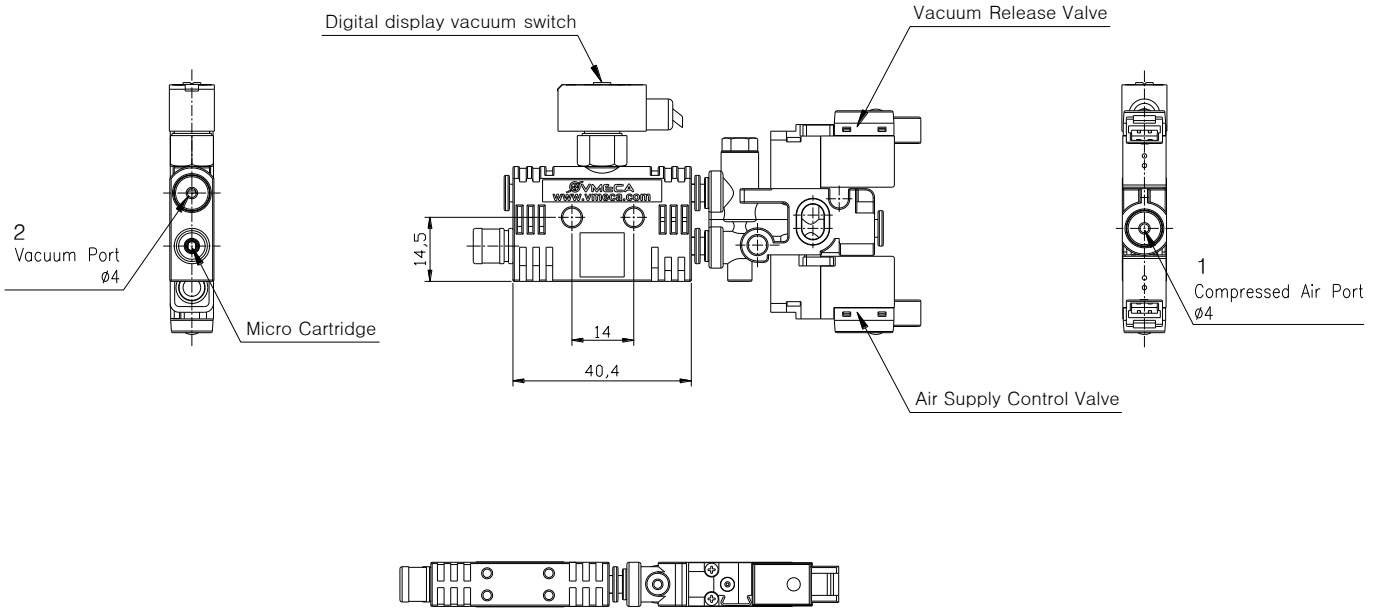
**MC 102 - S - C - PG**



**Dimension**

**Valve & Switch type**

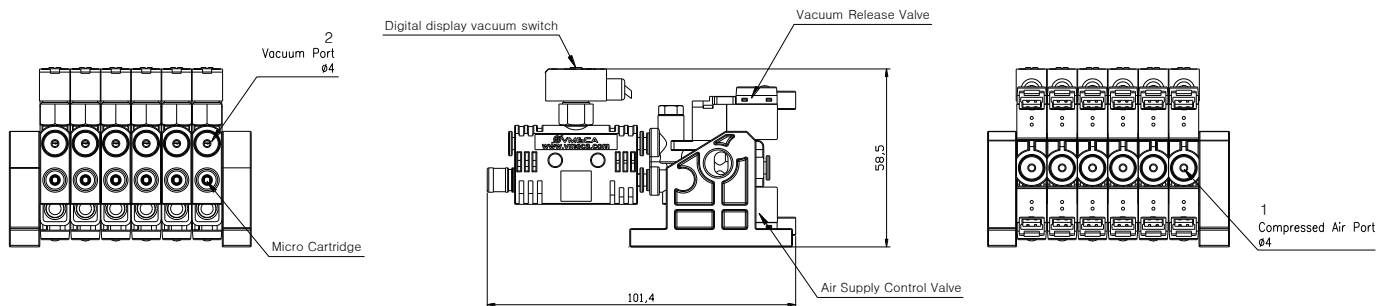
**MC 102 - S - A - PG**



[Measurement : mm]

**Manifold type**

**MC 102 - M6 - A - PG**

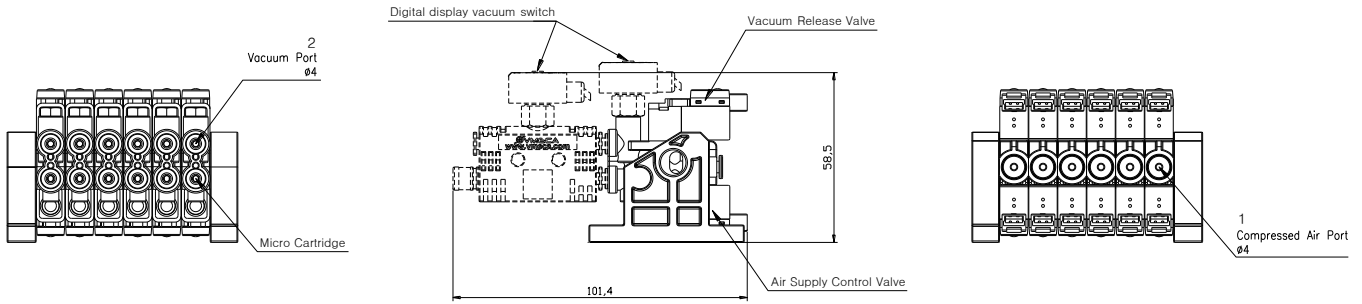


[Measurement : mm]

## Dimension

Control unit for MC102

**CU 102 - M4 - A - PG**



[Measurement : mm]