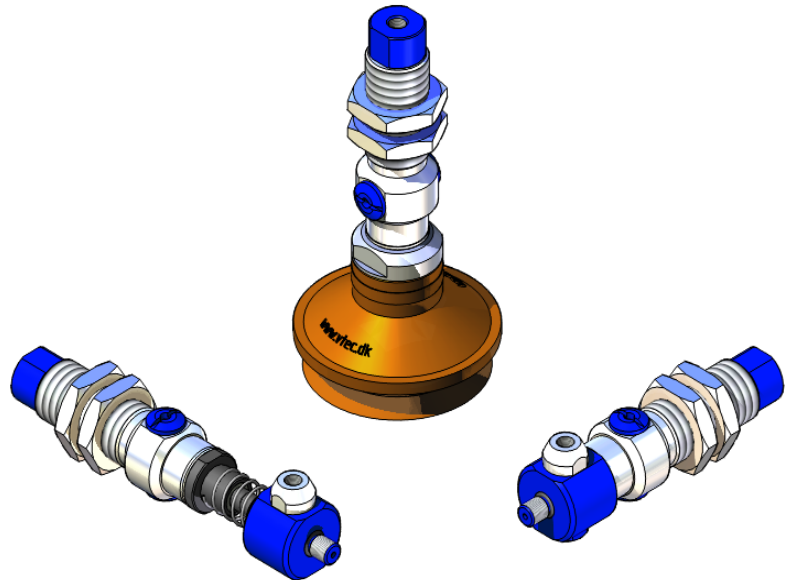


VCS 102 Series

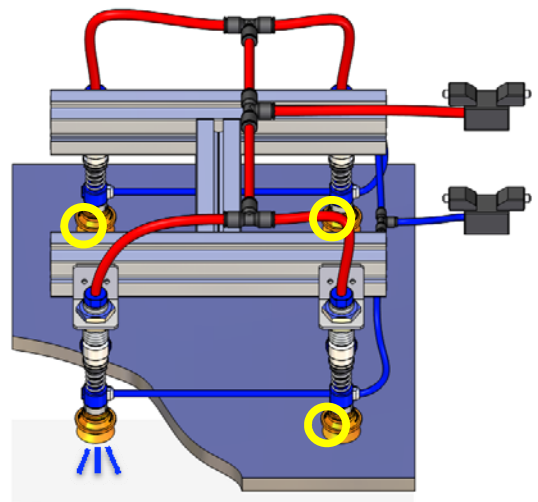
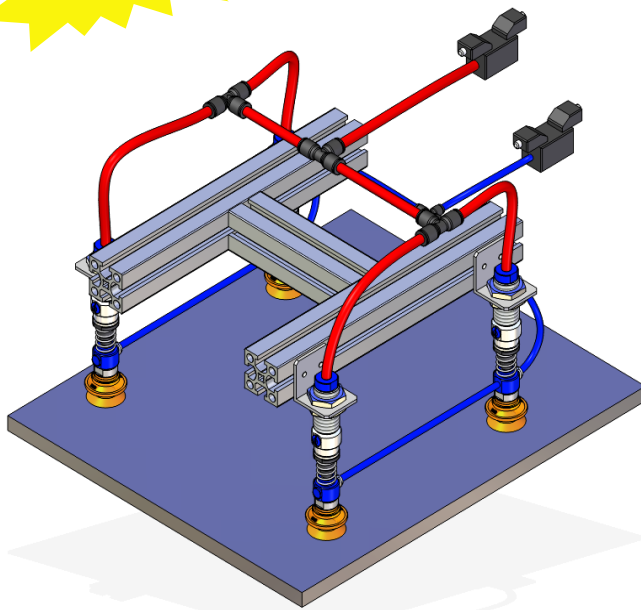
- Max. vacuum level : - 85 kPa
- Max. flow rate : 14.2 Nl/min
- Supply air pressure : 2.2~2.5 bar , max 6 bar
- Supply air type : Dry compressed air
- Working temperature : - 20 °C ~ 80 °C



Feature & Advantages

- VMECA vacuum cartridge with silencer built into level spring
- Fast response time
- Compact size and easily mountable and interchangeable
- Low air consumption (Save energy)
- Cost save and long lifetime
- Individual vacuum system

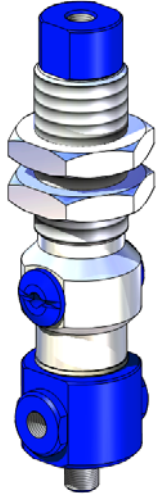
**Speeder
organize**



Standard

▼ Series VCS 102

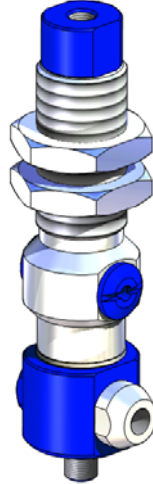
▼ VCS102-LM5



-Option-

- port size: M5

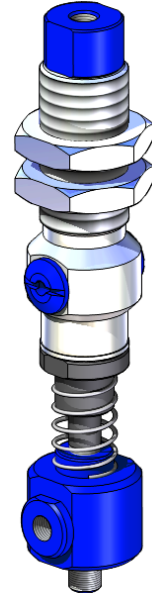
▼ VCS102C-LM5



-Option-

- port size: M5
- Release Check Valve

▼ VCS102-LM507



-Option-

- port size: M5
- Level Spring Stroke 7mm

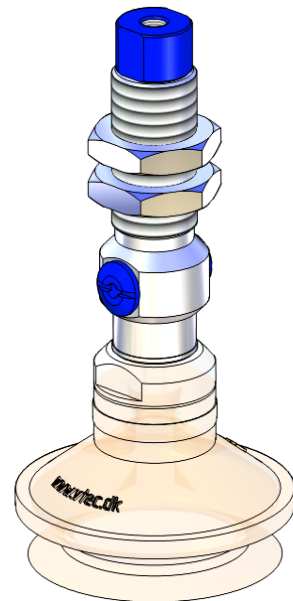
▼ VCS102C-LM507



-Option-

- port size: M5
- Level Spring Stroke 7mm
- Release Check Valve

▼ VCS102-L18F

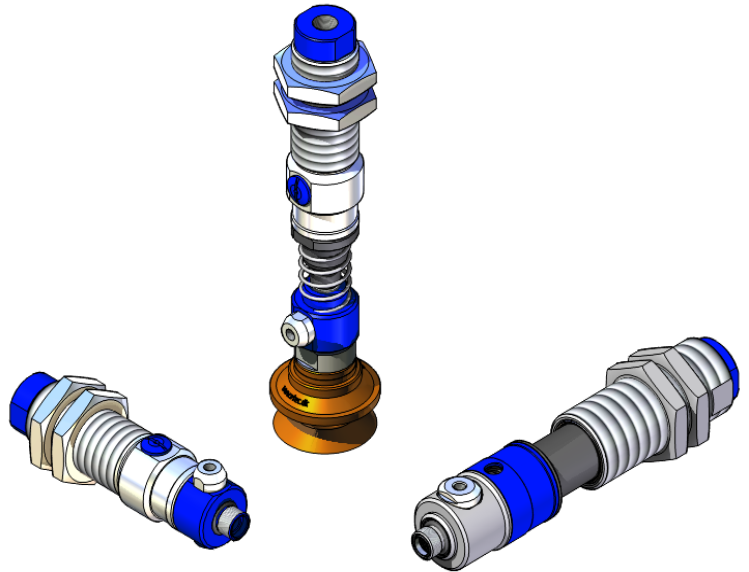


-Option-

- port size: G1/8" female

VCS 202 Series

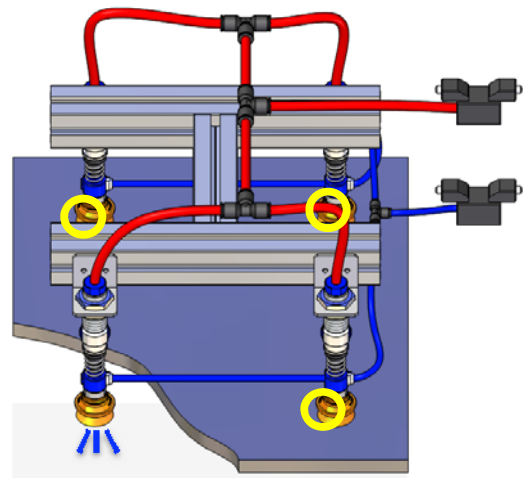
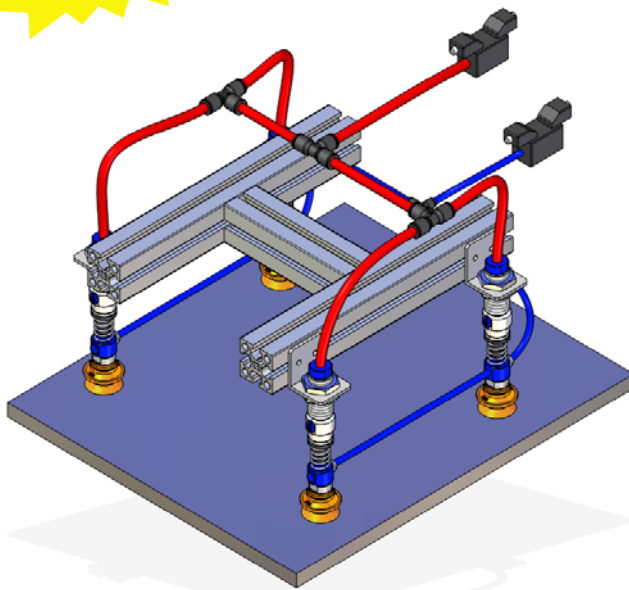
Max. vacuum level : - 90 kPa
Max. flow rate : 41.3 Nl/min
Supply air pressure : 3~6 bar , max 7 bar
Supply air type : Dry compressed air
Working temperature : - 20 °C ~ 80 °C
Noise Level : 55 ~ 65 dB



Feature & Advantages

- VMECA vacuum cartridge with silencer built into level spring
- Fast response time
- Compact size and easily mountable and interchangeable
- Low air consumption (Save energy)
- Cost save and long lifetime
- Individual vacuum system

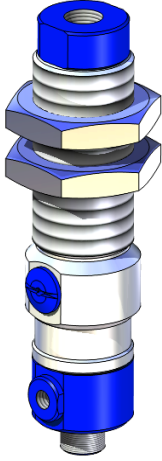
**Speeder
organize**



Standard

▼ Series VCS 202

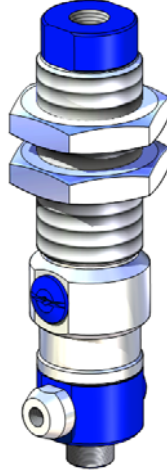
▼ VCS202-L18M



-Option-

- port size: G1/8" male

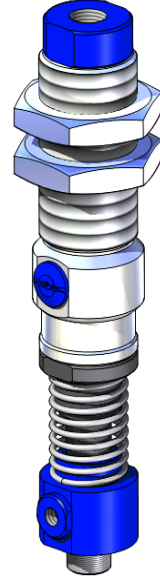
▼ VCS202C-L18M



-Option-

- port size: G1/8" male
- Release Check Valve

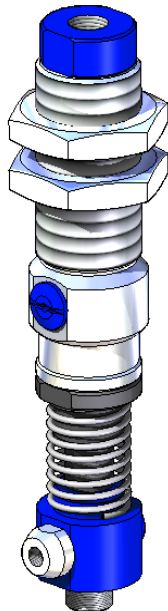
▼ VCS202-L18M 10



-Option-

- port size G1/8" male
- Level Spring Stroke 10mm

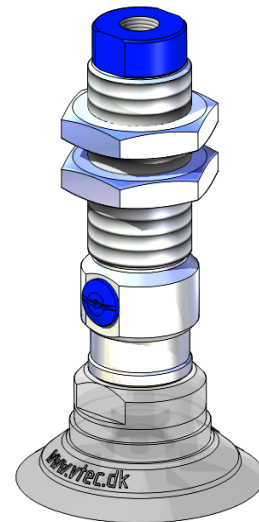
▼ VCS202C-L18M 10



-Option-

- port size G1/8" male
- Level Spring Stroke 10mm
- Release Check Valve

▼ VCS202-L38F



-Option-

- port size G3/8" female

Standard

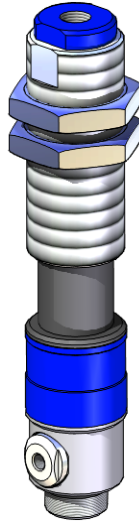
▼ **Series VCS 202**

▼ **VCS202-18M20**



- Option-
- port size G1/8" male
 - Level Spring Stroke 20mm

▼ **VCS202-38M20**



- Option-
- port size G3/8" male
 - Level Spring Stroke 20mm

▼ **VCS202-12M20**



- Option-
- port size: G1/2" male
 - Level Spring Stroke 20mm

▼ **VCS202C-18M20**



- Option-
- port size: G1/8" male
 - Level Spring Stroke 20mm
 - Release Check Valve

▼ **VCS202C-38M20**



- Option-
- port size: G3/8" male
 - Level Spring Stroke 20mm
 - Release Check Valve

▼ **VCS202C-12M20**

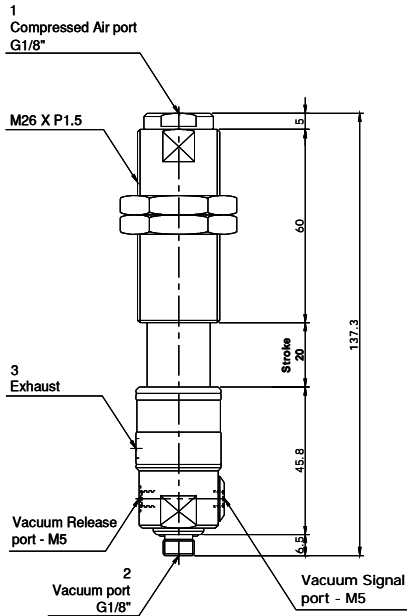


- Option-
- port size: G1/2" male
 - Level Spring Stroke 20mm
 - Release Check Valve

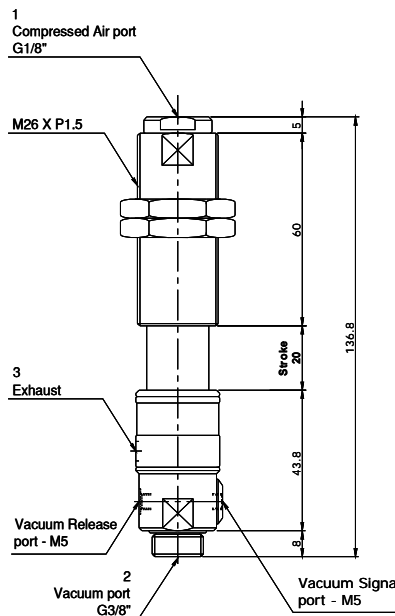
Standard

▼ Series VCS 202 ... internal level spring type

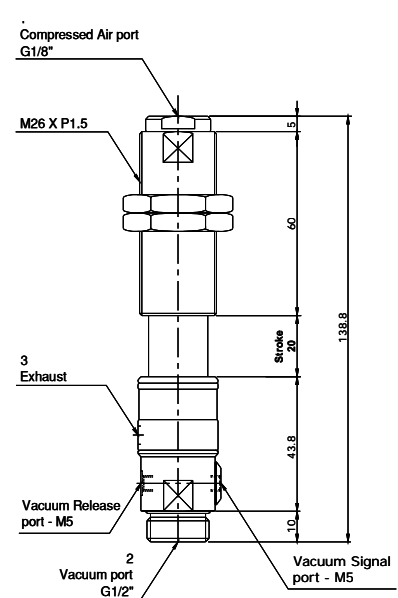
▼ VCS202-18M20
VCS202C-18M20



▼ VCS202-38M20
VCS202C-38M20



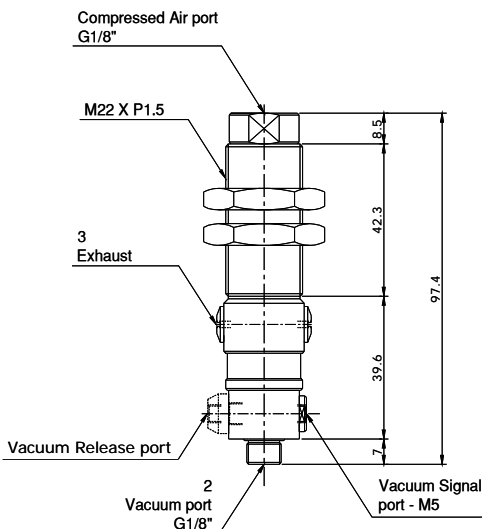
▼ VCS202-12M20
VCS202C-12M20



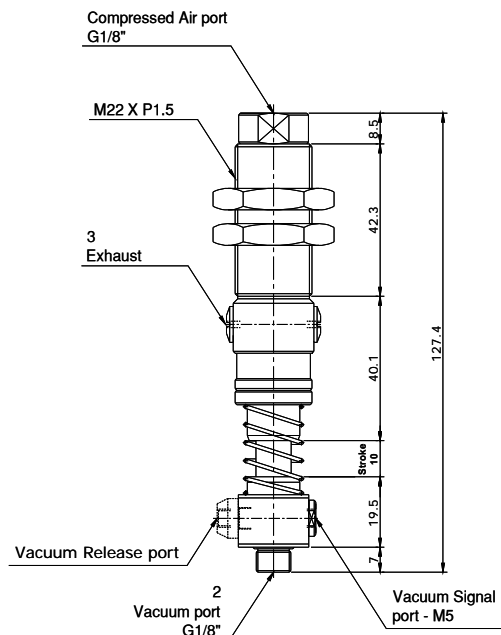
Standard

▼ Series VCS 202 ... external level spring type

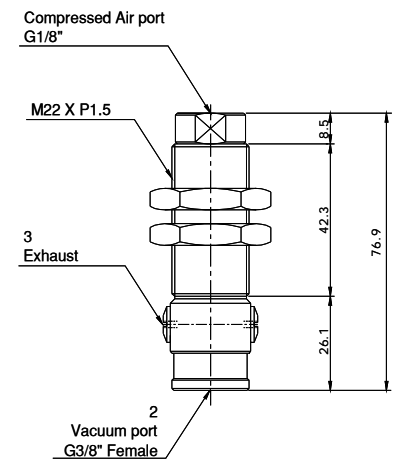
▼ VCS202-L18M
VCS202C-L18M



▼ VCS202-L18M 10
VCS202C-L18M 10



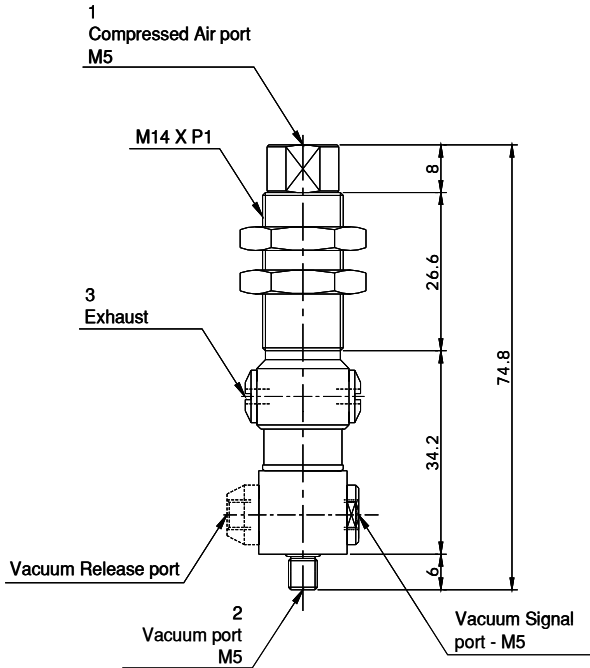
▼ VCS202-L38F



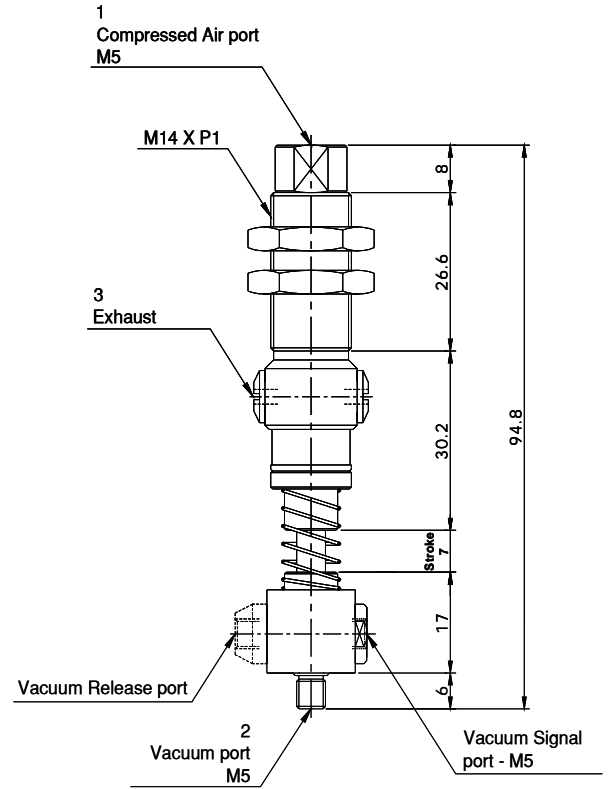
Standard

▼ Series VCS 102

▼ VCS102-LM5
VCS102C-LM5



▼ VCS102-LM5 07
VCS102C-LM5 07



▼ VCS102-L18F

