

VMECA VACUUM SPEEDER

VQ SERIES

(Quick Release Vacuum Pumps)



VQ SERIES

- Max. Vacuum Level** : - 90 kPa (-675 mmHg)
- Max. Flow Rate** : 85.8NI/min (3.01 scfm)
- Supply Air Pressure** : 4 ~ 6 bar, max 7 bar
(58~87psi, Max.101.5 psi)
- Air Consumption** : 32 NI/min (1.12 scfm)
- Supply Air Type** : Dry compressed air
- Working Temperature** : - 20°C ~ 80°C (- 4~ 176°F)
- Noise Level** : 55 ~ 65 dBA



Features

- ✓ Integrated with innovative Multi-Stage VMECA Vacuum Cartridge
- ✓ Auto Blow-Off
- ✓ Compact Size and Light Weight
- ✓ Adjustable Blow-Off Air-Flow
- ✓ Fast Response Time
- ✓ Easy Installation and Low Maintenance Cost
- ✓ Automatic Filter Cleaning
- ✓ Low noise level
- ✓ Low Air Consumption (Energy Saving)
- ✓ Integrated Vacuum Filter

Ordering Information

VQ 203S - 38F - S - V

① ② ③ ④

① Vacuum Cartridge

•	202P	-	VC202P
	203S	-	VC203S

② Vacuum Port

•	38F	-	G3/8" Female
---	-----	---	--------------

④ Sealing Material

•	No Mark	-	NBR
	V	-	Viton
	E	-	EPDM

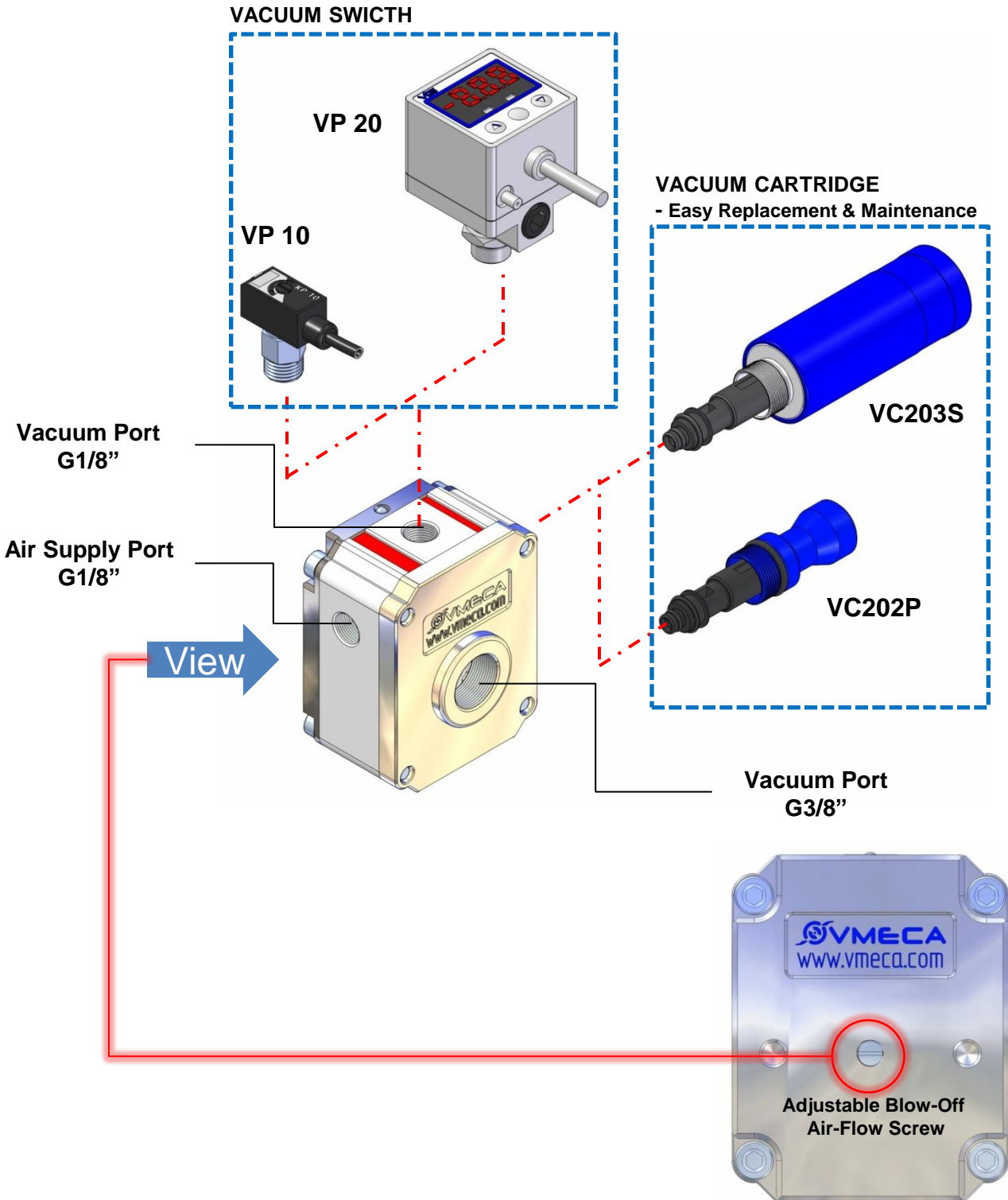
③ Vacuum Switch

No Mark	-	Not attached
•	S(P)	Output 1 point, No analog supply M8-3Pin male connector (15cm lead wire)
	SG(P)	Output 1 point, No analog supply (Grommet type 3 core, 3m lead wire)
	S2(P)	Digital output 2 points, No analog supply M8-4Pin male connector (0.3m lead wire)
	SG2(P)	Digital output 2 points, No analog supply (Grommet type 4 core, 2m lead wire)
	SG3(P)	Digital output 2 points, Analog Supply (Grommet type 5 core, 2m lead wire)

※ Remark : ① S..(P)
 L Output type : PNP open collector
 ② VC M8-3-3 : M8-3pin female connector, option for 'S' or 'SP'
 ③ VC M8-4-2 : M8-4pin female connector, option for 'S2' or 'S2P'

Structure of Quick Release Vacuum Pump

VMECA Vacuum Speeder VQ Series is easy to install, easy maintenance, and fits in limited workspace.

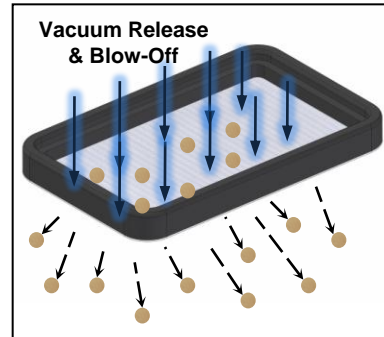
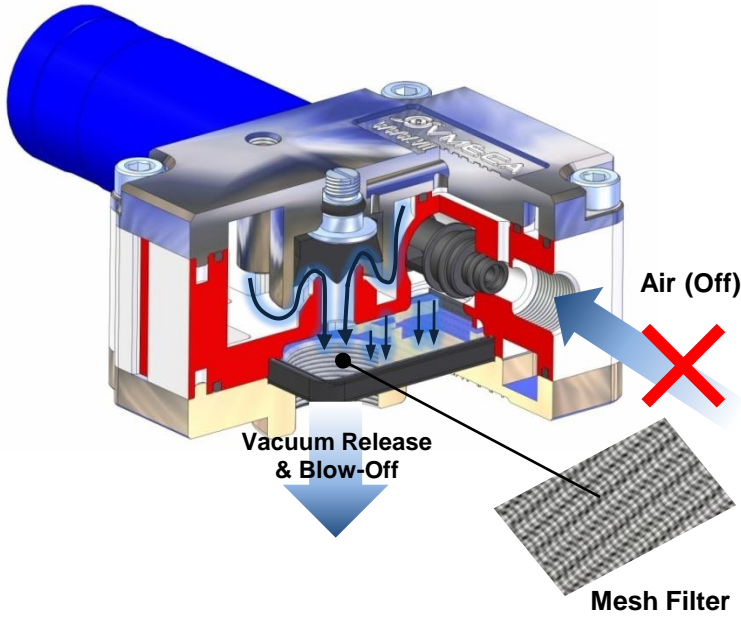


Quick Vacuum Release – Fast Response Time

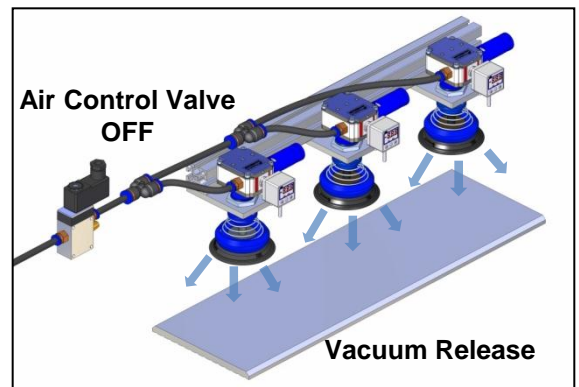
The VQ series stops generating vacuum once the compressed air is cut off.

At the same time, the compressed air which was held captive inside the chamber gets blown outside.

While the air is blowing out, the air cleans out the filter as well.

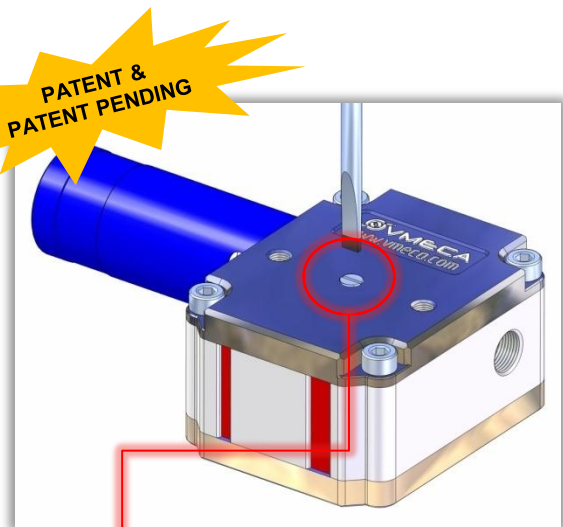


Filter Cleaning



Adjustable Blow-Off Air-Flow

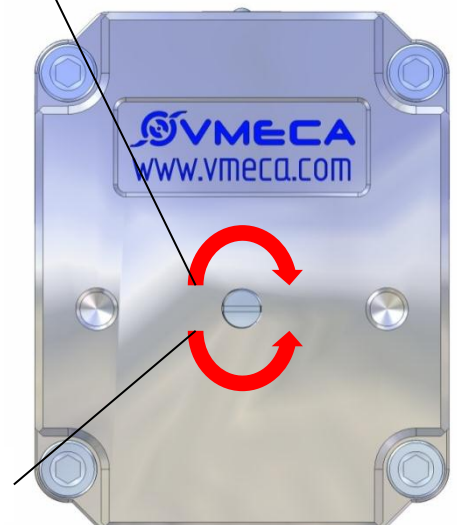
The Blow-Off air flow can be adjusted by adjustable Blow-Off Air-Flow Screw. Adjustment should be made to maximize efficiency depending on the weight/feature of the work piece.



Adjustable Blow-Off Air-Flow Screw

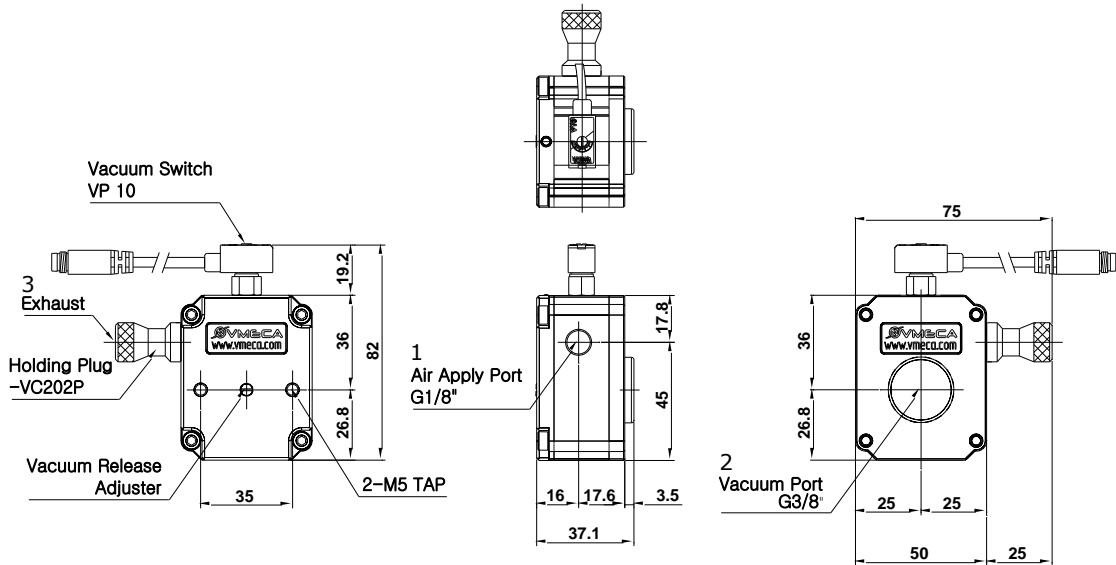
Clockwise Rotation:
Decreasing Blow-Off Air Flow

Counter-Clockwise rotation:
Increasing Blow-Off Air Flow



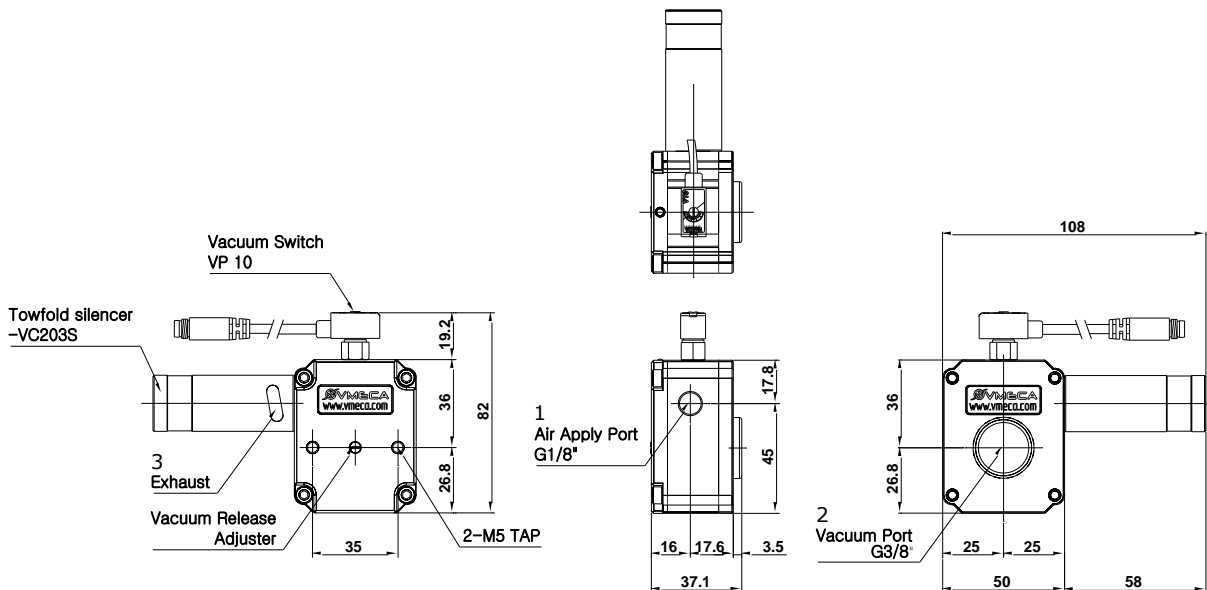
Dimensional Information

VQ20SP – 38F – S...



Unit: mm

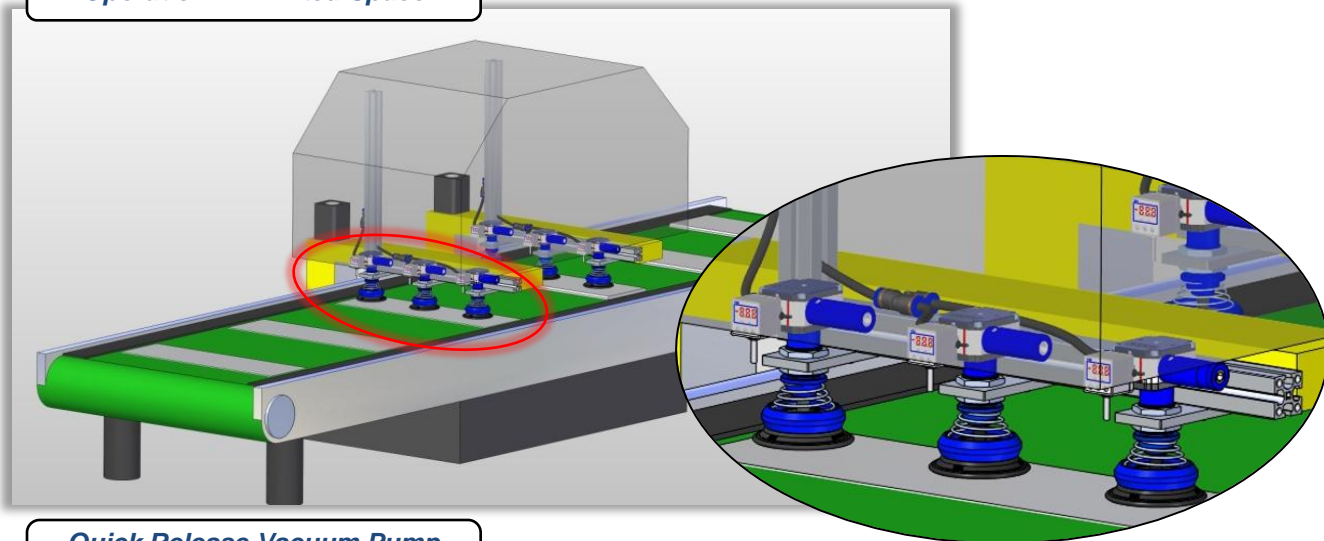
VQ203S – 38F – S2...



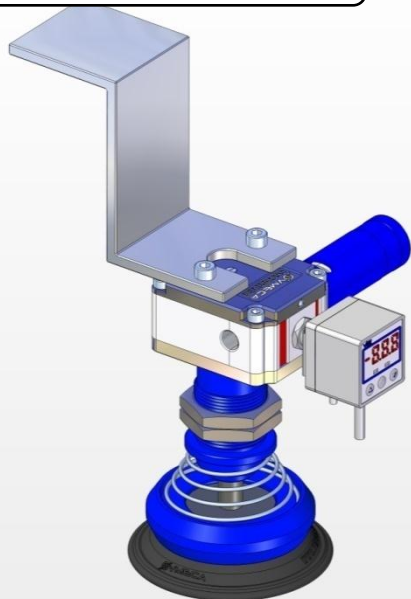
Unit : mm

Applications

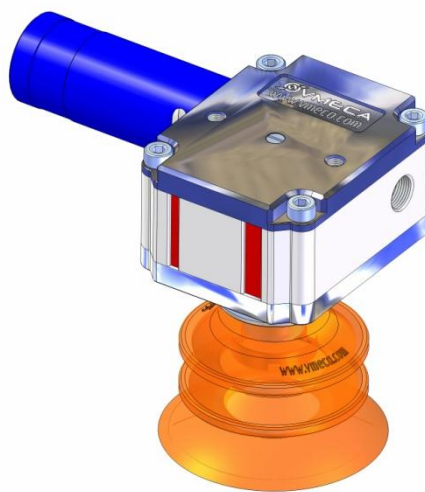
Operation in Limited Space



Quick Release Vacuum Pump + Smart Suction Cup



Quick Release Vacuum Pump + Suction Pad



Quick Release Vacuum Pump + Smart Suction Cup

